

24" Marvel Refrigerated Drawers

Model # ML24RD****



Certified to meet ENERGY STAR® requirements

- Dynamic Cooling Technology™ delivers rapid cooldown and the industry's best temperature stability
- Specially designed for a truly flush fit with adjoining cabinetry
- MARVEL Intuit™ Integrated Controls provide precise temperature management from 34°F to 42°F
- Pristine arctic white interior easily wipes clean and efficient white LED lighting illuminates interior for better viewing
- Insulated thermal-efficient cabinet ensures optimum efficiency and preservation
- Close Door Assist System™ gently and automatically closes drawers
- Audible and visual alarms signal when drawer is left ajar to protect food integrity and energy use
- Vacation/Sabbath mode conserves energy during times when the unit is not in use and complies with Star-K requirements
- Height adjustment up to 1" with leveling legs
- 4" black adjustable toe kick
- 1-year warranty



Storage Capacity

Up to (108) 12-oz cans

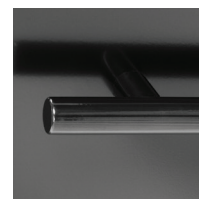
Product Dimensions

23⁷/₈" W x 33³/₄" minimum H x 25⁵/₈" D
(including handle)

Finish/Door Options



Stainless Steel



Black

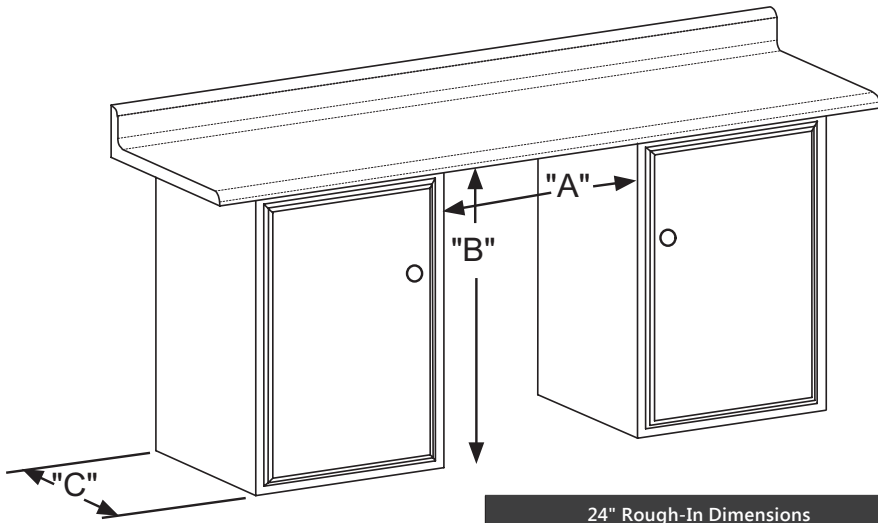


Wood Overlay
(Panel Ready)

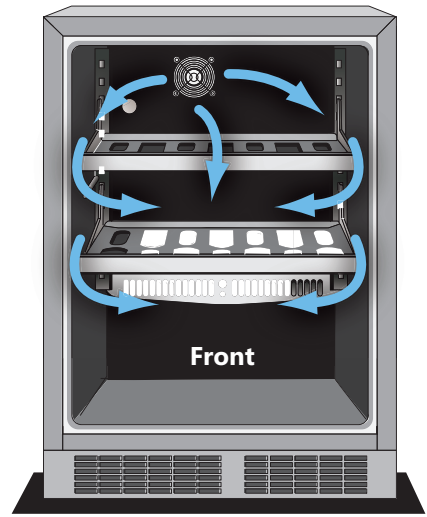
Ordering Details

Solid Stainless Steel Drawer Front	ML24RDS2NS
Solid Black Drawer Front, Black Handles	ML24RDS2NB
Solid Panel Ready Drawer Front	ML24RDP2NP

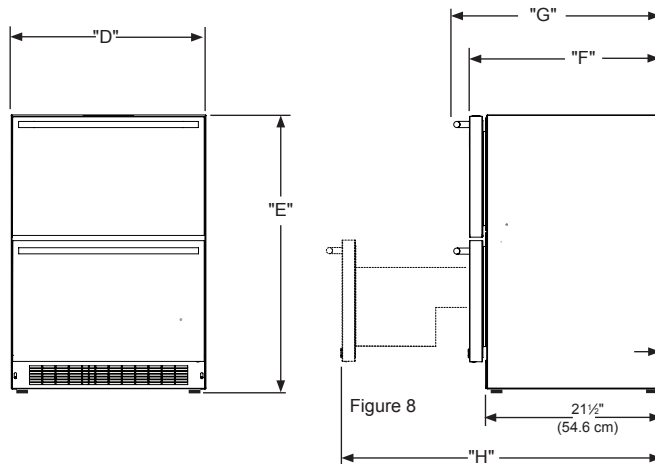
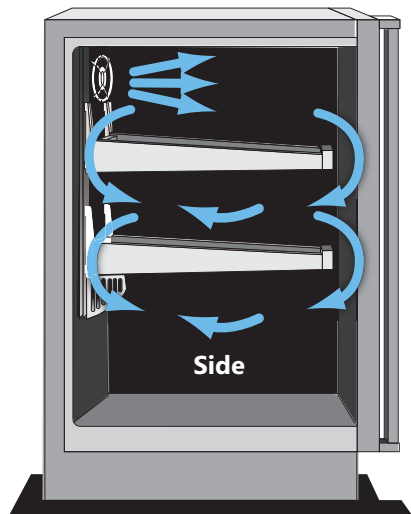
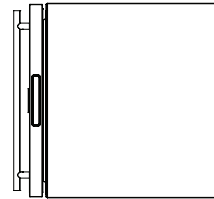
No panel installation kit required.



24" Rough-In Dimensions		
"A"	"B"	"C"
24" (61 cm)	**34" to 35" (86.4 to 88.9 cm)	24" (61 cm)



Cabinet Dimensions		
"D"	"E"	"F"
23 7/8" (60.7 cm)	33 3/4" to 34 3/4" (85.7 to 88.3 cm)	23 23/32" (60.2 cm)
"G"	"H"	
25 21/32" (65.2 cm)	39 5/32" (99.5 cm)	




Dynamic Cooling Technology™ delivers rapid cool down and the industry's best temperature stability

The distinctive Marvel design features a thermal-efficient cabinet and door combined with Dynamic Cooling Technology™ for superior temperature stability, faster cooling times and speedy temperature recovery even with high frequency.

Width	23 7/8"
Interior Finish	White
Capacity	Up to 108 12-oz cans
Shelving System	NA
Shelf Fronts	NA
Other Storage	NA
Interior Lighting	1 White LED Pod per drawer
Toe Grill Finish	Black
Hinge	NA
Handle	Designer

Control Type	Intuit™
Temperature Range	34° - 42° F
Lock	NA
Electrical Requirements	120V / 60Hz / 15A
Length of Power Cord	5'
Product Dimensions	23 7/8" W x 33 3/4" H x 21 1/2" D
Depth to Front of Door	23 23/32"
Depth to Handle	25 21/32"
Depth with door at 90°	29 5/32"
Shipping Weight	160 lbs

Finishes	SS, B, O
Vacation / Sabbath Mode	Yes
Agency Approvals	CSA
ENERGY STAR Certified	

Finishes Key

- SS = Stainless Steel
- B = Black
- O = Overlay

Overlay Panels

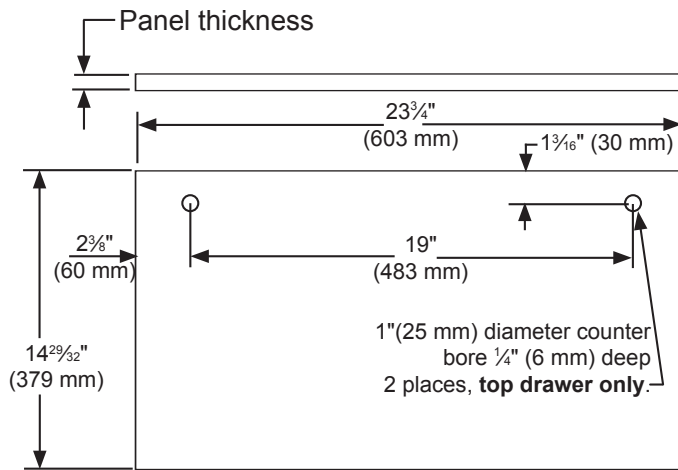


Figure 14
Face of
Overlay Panel
(This side facing interior)

Cut the overlay panel to the dimensions shown below in Figure 14. On the top drawer only drill the 2 counter-bored holes which are clearance for screw heads on the face of the top drawer.

This is also a convenient time to locate and drill the holes for your handle. Most often the handle is to match that of the surrounding cabinetry. If your handle attaches from the back-side of the custom panel, locate the mounting holes while the panel is attached to the drawer and cabinet. After the panel is removed from the drawer, drill the mounting holes from the front, to the recommended diameter of the handle manufacturer. Counter bore the back-side of the panel so the screw heads do not interfere with the surface of the drawer.

Set the overlay panel on drawer front face and align edges. (See Figure 15 below). The custom overlay panel should be flush with the top of the drawer and centered on the width of the drawer. Clamp panel in position and mark pilot hole locations. Pick the required pilot hole size from "Table B" below and drill the pilot holes ensuring not to drill all the way through the overlay panel.

Insert wood screws through clearance holes and tighten to secure overlay panel. Reinstall gasket into channel. Make sure the corners are fully inserted.

Fully extend drawer slides and place drawer on slides. Be sure that drawer sits evenly on both slides and clips slide into place in rear of drawer. Re-install wire harness at rear corner of top drawer. Re-install two screws through drawer into slides.

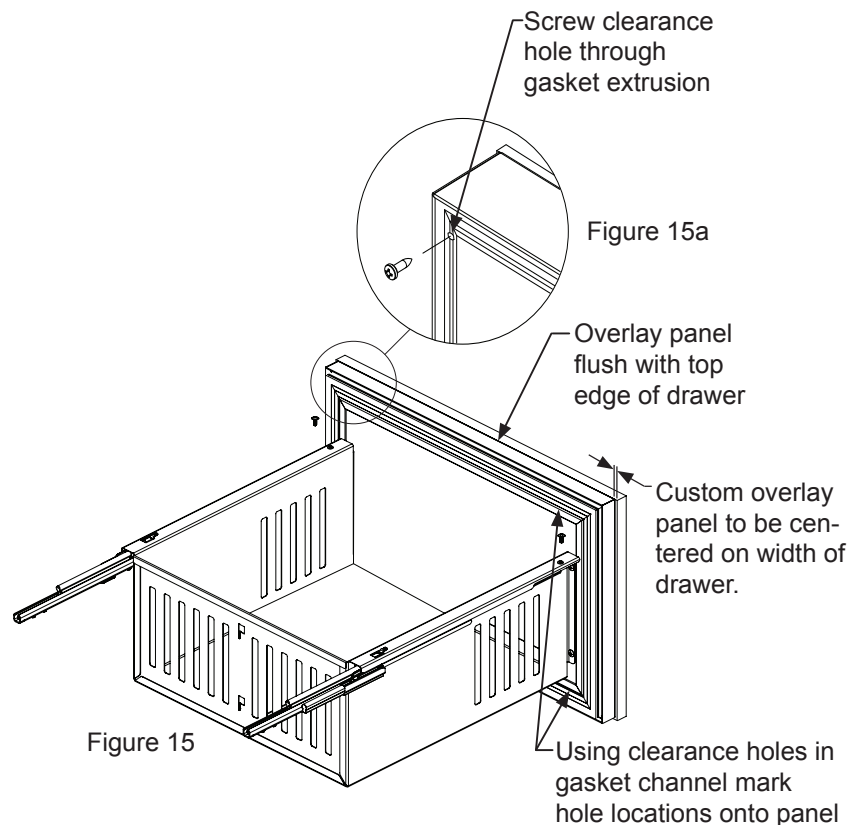


Table B: Pilot Hole Drill Sizes for Wood Screws

Material Type	#8 Wood Screw
Hardwood	1/2 Diameter Pilot Hole
Softwood	3/8 Diameter Pilot Hole